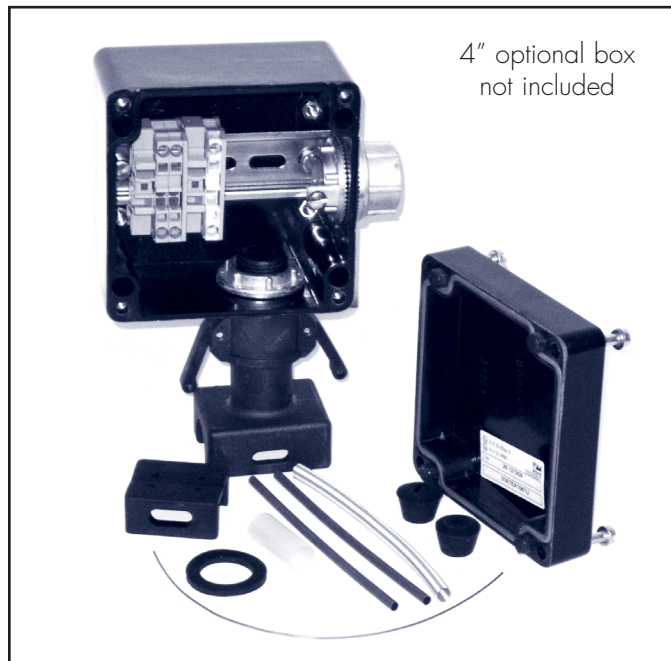


RSCC 1548-40PTP/1548-40PTJ Power Connection Kit for Pipes

For use with Dekoron 2700 and 2300 Families of Heating Cables
1548-81HTJ for use with 2000 Series Heating Cables

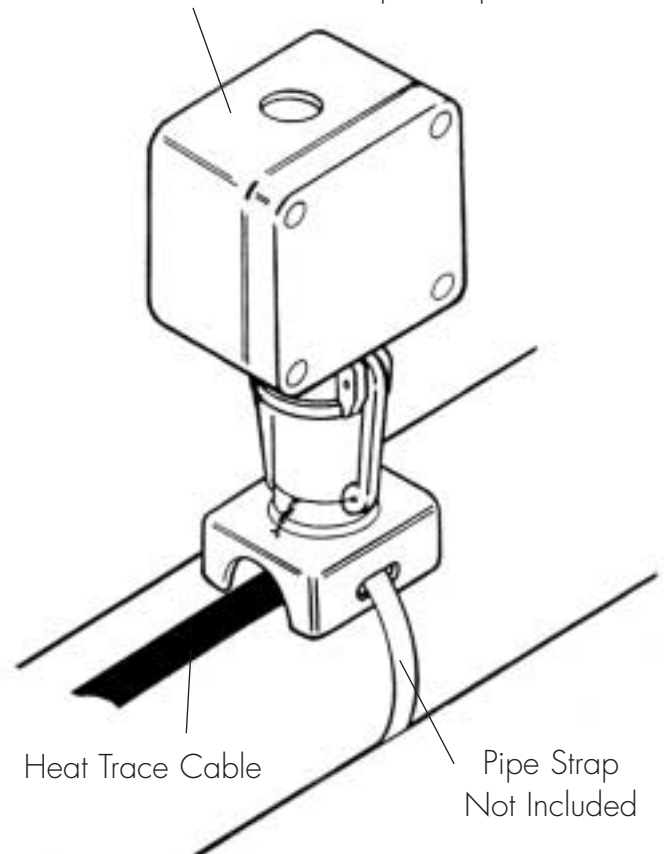
Kit Description

The Power Connection Kit is designed for use in ordinary and Division 2 locations. The kit provides excellent resistance to ultraviolet rays from sun, as well as inorganic chemicals and most corrosives.



Standard Junction Box Only Included in
1548-40PTJ / 1548-81HTJ Kits

* Optional 4" Box with Din rail and Phoenix
connections available upon request



1548-40PTP, 1548-81HTP Contents

Qty.	Description
1	Base
1	Top
1	Sealing Grommet (large hole)
1	Sealing Grommet (small hole)
1	Sealing Gasket
2	Shrink Tubes 1/8" x 5 1/2" (black)
1	Shrink Tube 1/4" x 5 1/2" (green/yellow)
1	Shrink Tube 1/2" x 1 1/2" (white)
1	Lock Ring
1	Adaptor (for installation on pipe smaller than 1")
1	Stainless Steel Tie Wire

The material contained in this document is presented in good faith and believed to be reliable and accurate. However, because testing conditions may vary and material quality or information that may be provided in whole or in part by others may be beyond our control, no warranty, expressed or implied, is given and no liability assumed for results obtained or damages incurred through the application of the data and tests presented.