

Alpha Floodlight

IP66/67

The Alpha is a highly efficient Ex de asymmetric floodlight, designed for use in Zone 1 and 21 hazardous areas.

Key Features:

- Simple and quick lamp replacement. Single tool operation, no need to remove cover
- Internal flame path removes the need for routine physical inspection
- Dark Sky asymmetric design reduces light pollution and glare
- Ignitor located in lamp body allowing for optional remote gear box and reduced weight on pole



Luminaire Ratings

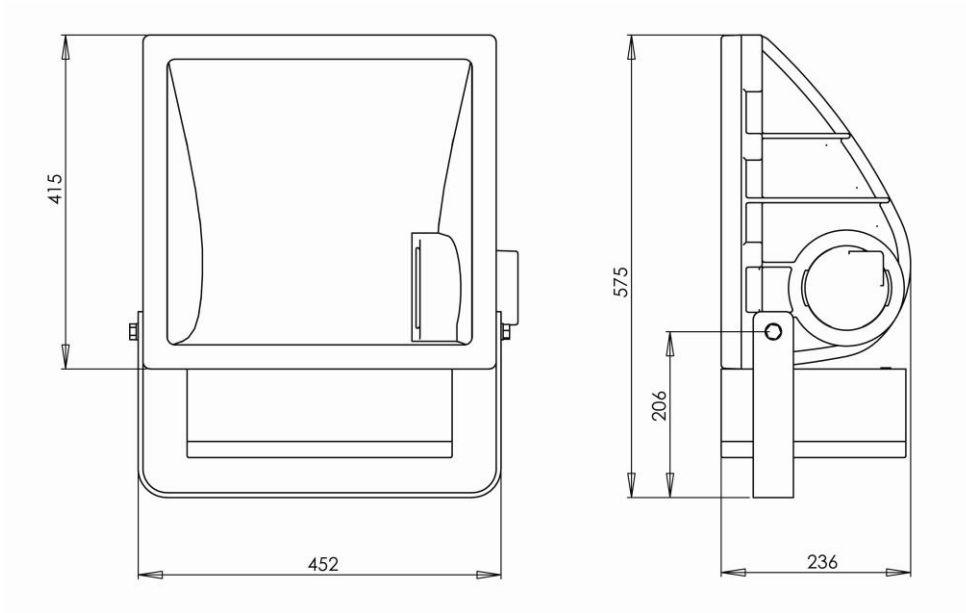
Product Reference	Lamp Type	Lamp Cap	Power (W)	Temperature Rating**	Ambient Temperature	Weight (kg)
LX1ALP150SH	HPS/MBI	E40	150	T4	-20°C to 55°C	27.0
LX1ALP250SH	HPS/MBI	E40	250	T3	-20°C to 55°C	28.0
LX1ALP400SH	HPS/MBI	E40	400	T3	-20°C to 55°C	28.5
LX1ALP500T	TH	E40	500max*	T3	-20°C to 55°C	22.0

* 500W is the maximum lamp size permitted. Lower wattage lamps may be fitted.

Standard Specifications

Luminaire Type	Zone 1 asymmetric floodlight with optional remote control box
Ingress Protection	IP66/67 to EN60529
Material	Die-cast LM6 aluminium, toughened cover glass & stainless steel fasteners
Distribution/output	Area illumination via high efficiency asymmetric reflector
Lamp Types	High Pressure Sodium, Metal Halide, or Single Ended Tungsten Halogen
Lamp Cap	E40/GES
Lamp Change	Via quick access bayonet mount lamp holder
Cable Entry	2 x M20 tapped entries on AZG control gearbox. Supplied with 1 x Ex plug and 1 x transit plug
Terminals	Looping terminals for up to 6mm ² conductors as standard on AZG control gearbox
Control Gear	Copper and iron ballast, timed impulse ignitor, pfc capacitor
Orientation	Universal
Mounting	Via Saddle bracket (standard), pendant bracket & other options available
Supply	220 to 254V 50/60Hz ac
Certification	
Area Classification	Zone 1 & 21, Gas & Dust
Type of Protection	Ex de (flameproof & increased safety)
Apparatus Coding	II 2 GD Ex de IIB**
Certificate Number	ATEX CML 14ATEX1049X / IECEx CML 14.0019X

** see table for temperature rating & ambient temperature range



Options

M25	M25 cable entries (other thread types available on request)
110	110 - 130V 50Hz ac dc operation
60	60Hz ac dc operation
IO	Ignitor only (allows mounting remote mounting of control gear)
EC	Epoxy powder coated
PT	PTFE coated
NR	Narrow beam reflector

Add the required suffix to the product reference.

Example: **LX1ALP250HS/M25/60** = Zone 1, 400W HPS/MH floodlight with M25 cable entries and 60Hz operation.

Accessories

LX4ALP-PM1	Pole mounting bracket - 316 SS (to suit $\varnothing 50$ to $\varnothing 75$ mm spigot) Other diameters available on request
LX4ALP-AGS	Anti glare shield – 316 SS
LX4ALP-WG	Wire guard – 316 SS
LX4ALP-WGS	Combined Anti glare shield/Wire guard