



- Can be combined with connection technology PLEXO, heat shrink and cold-applied technology
- Flame-retardant and Impact-resistant
- Component of the PSBL, PSB, MSB and HSB system approval

Inside the junction box up to three heating circuits can be connected to the supply voltage. As a component for the PSBL, PSB, MSB and HSB systems, it already has the right threaded holes for our cold applied and heat shrink technology.

Explosion protection

Marking System

PSBL	<ul style="list-style-type: none"> ⊕ II 2G Ex e IIC T5 Gb ⊕ II 2D Ex tb IIIC T95 °C Db
PSB	<ul style="list-style-type: none"> ⊕ II 2G Ex e IIC T5, T6 Gb ⊕ II 2D Ex tb IIIC T95 °C, T80 °C Db
MSB	<ul style="list-style-type: none"> ⊕ II 2G Ex e IIC 150 °C (T3), T4 Gb ⊕ II 2D Ex tb IIIC T150 °C, T130 °C Db
HSB	<ul style="list-style-type: none"> ⊕ II 2G Ex e IIC 180 °C (T3), T4 Gb ⊕ II 2D Ex tb IIIC T180 °C, T130 °C Db

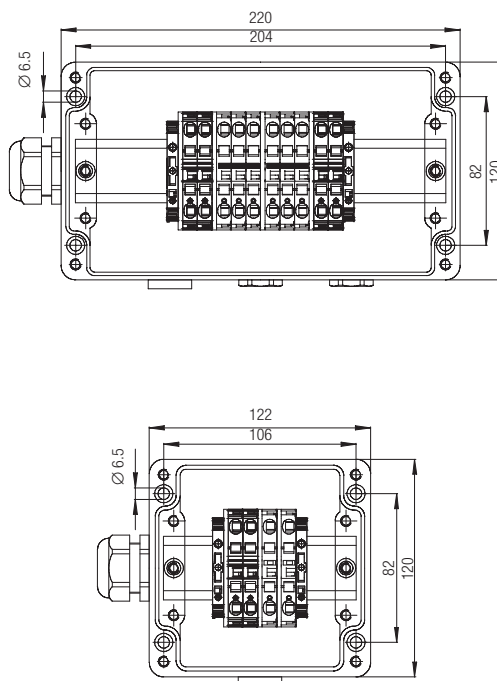
Please refer to the system chapter for the respective system approval.

Other approvals and certificates, see www.bartec.de

Technical data

Protection class according to EN 60079-0	seal of cover IP 66 cable gland IP 65
Ambient temperature	-55 °C to +55 °C
Dimensions	see ordering information
Material	Polyester, glass fibre reinforced; aluminium, stainless steel (AISI 316 or V4A)
Voltage	AC 254 V
Circuit protection	max. 16 A (dependant on the heating circuit length)
Cable gland supply voltage	M25 made of PA for feed with D _A 8 to 15 mm

Dimensions (polyester, aluminium)



Ordering information

Designation	Description	Dimensions (mm)	Terminals (mm ²)	Order no.	
Polyester	System 27-1.80-..10/....	for 1 heating circuit	122 x 120 x 90	4 x 6; 4 x PE	27-5452-42111210
		for 2/3 heating circuits	220 x 120 x 90	12 x 6; 8 x PE	27-5452-44311210
Aluminium	System 27-1.80-..10/....	for 1 heating circuit	122 x 120 x 90	4 x 6; 4 x PE	27-5452-52111230
		for 2/3 heating circuits	220 x 120 x 90	12 x 6; 8 x PE	27-5452-54311230
Stainless steel	System 27-1.80-..10/....	for 1 heating circuit	150 x 150 x 100	4 x 6; 4 x PE	27-5452-67111230
		for 2/3 heating circuits	200 x 200 x 120	12 x 6; 8 x PE	27-5452-68311230

Corresponding installation accessories can be found in the chapter on "Installation accessories for PSBL/PSB/MSB/HSB/HTSB/EKL/EMK"

Technical data subject to change without notice.