



- Cost savings because of the reduced assembly time
- High reliability of assembly because of few and simple installation steps

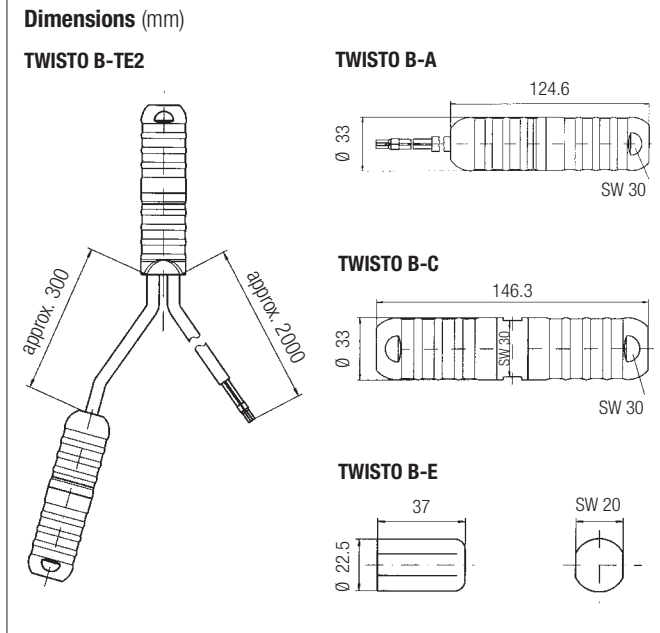
Simpler and safer to use, yet at the same time faster and thus cheaper, is how the major benefits of the TWISTO-B can be described. This method of connection is for use with BARTEC PSB heating tapes of series 07-5801-2.... All that is needed to assemble a heating circuit is a knife and diagonal cutter. This dispenses with the time-consuming work of exposing the two conductors, the laborious splicing and twisting of the protective braiding and then connecting to a terminal. Just a piece of the outer protective jacket is removed, a clamping sheet is fitted over a part of the exposed braiding, the remaining part is pulled back over the clamping sheet. The heating tape is then inserted into the clamp cutting fixture and by twisting together the two outer sleeves (one sleeve comes ready prepared with a 2 m long supply cable), the heating tape is contacted in the clamp cutting fixture. The end terminal consists of just one part, whereby the end of the heating tape is shortened and inserted into the terminal piece.

**Media protected**

Certification system	TC RU C-DE.ML03.B.00062 VDE 40036171 DNV E-12875 CSA 1862457
Other approvals and certificates, see <a href="http://www.bartec.de">www.bartec.de</a>	

**Technical data**

Nominal voltage	AC 250 V
Nominal current	16 A
Ambient temperature range	-20 °C to +85 °C
Protection class according to EN 60529	IP 66
Dimensions	Connection Diameter 33 x 125 (135) mm End termination 23 x 20 x 37.5 mm
Connection	with 2 m ready-prepared silicone connector cable (3 x 1.5 mm <sup>2</sup> )



**Ordering information**

Connection technology	Description	Short form title	Order no.
	Connection to supply cable and end termination as set	TWISTO-B-S	<b>27-56KK-DC22 0000</b>
	Connection to supply cable	TWISTO-B-A	<b>27-56KG-DC22 0000</b>
	End termination	TWISTO-B-E	<b>27-56KJ-DC00 0000</b>
	Heating tape connection	TWISTO-B-C	<b>27-56KH-DC00 0000</b>
	T-branch for 3 x heating tape 1 I/O	TWISTO-B-T	<b>27-56KL-DC00 0000</b>
	T-branch with power connection and 2 x heating tape 2 I/O	TWISTO-B-TE2	<b>27-56KM-DC22 0000</b>
	T-branch with power connection and 3 x heating tape 3 I/O	TWISTO-B-TE3	<b>27-56KN-DC22 0000</b>
	X-branch for 4 x heating tape 2 I/O	TWISTO-B-X	<b>27-56KP-DC00 0000</b>

Technical data subject to change without notice.