



Installation: hazardous areas - Zone 1 / 2 (Gases) - Zone 21 / 22 (Dusts)

Classification: Group II - Category 2G 2D



REFERENCE STANDARDS

Directive 2014/34/EU

EXECUTION	⊗ Ex db op is IIC T6/T5/T4 Gb ⊗ Ex op is tb IIC T85/100/135°C Db
RULES OF COMPLIANCE	EN/IEC 60079-0; EN/IEC 60079-1; EN/IEC 60079-31
EC Type-Examination Certificate	INERIS 01 ATEX 0054X
PROTECTION DEGREE	IP66
AMBIENT TEMPERATURE	-60°C ÷ +60°C
OTHER AVAILABLE CERTIFICATES	IECEX: IECEX INE 13.0075X INMETRO: CEPEL 14.2311X EAC: TC RU C-IT.BH02.B.00602 RINA: ELE18111CS_015 RUSSIAN MARINE CERTIFICATE (RMRS): 19.02519.280

Mechanical characteristics

Body	marine grade copper free aluminium (control gear & lamp body)
Globe	high-temperature resistant borosilicate glass
Painting	external epoxy powders grey RAL-9006 colour
Screws	external stainless steel
Gaskets	silicon rubber
Cable entry	2 threaded holes dia. 3/4" NPT (EVAC...L-...) 1 threaded hole dia. 1" NPT (EVAC...-...LED)

Electrical characteristics

Power supply	120-277 Vac electronic driver 50/60 Hz - c/w surge protection 6KV and NTC thermal sensor
Lamp type	MK-R / CREE CRI 70, CCT 5700K. Lifetime: 80.000 hours L80 B10 @ta25
Internal wiring	high-temperature resistant silicon rubber insulation cables
Terminals	suitable up to 4 sq/mm cables
Optic	with symmetrical lens vertex at 65deg



On Request Accessories:

- External painting colour on request
- Threaded cable entry different than standard

Technical data

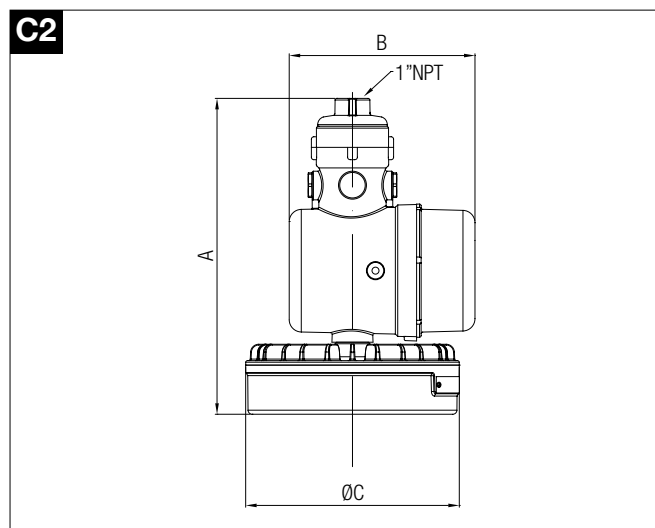
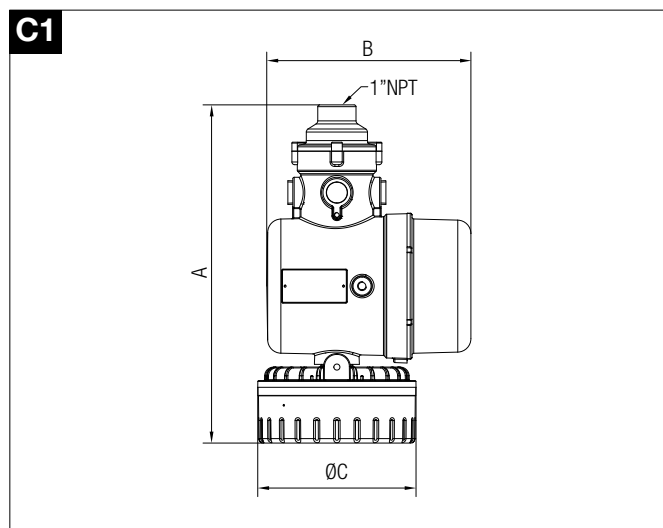
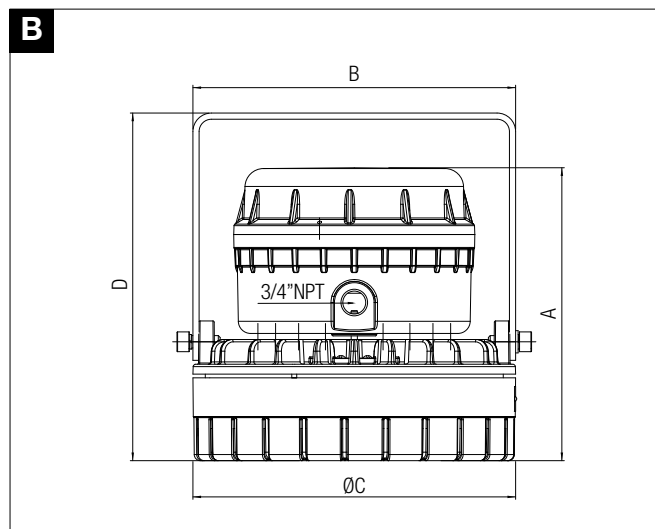
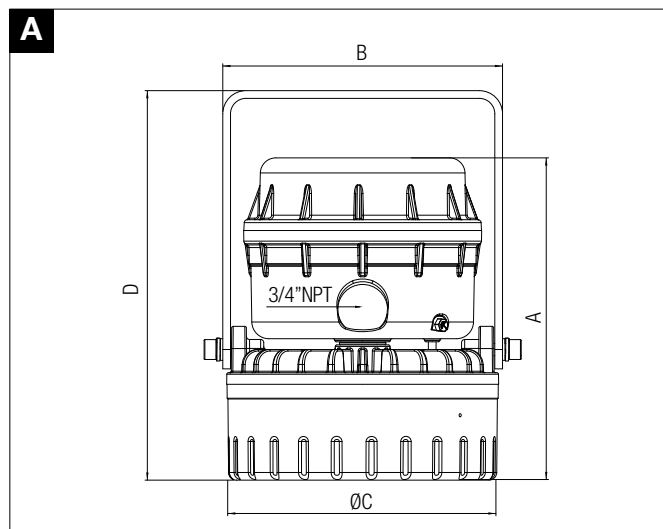
CODE	LAMP TYPE	TEMPERATURE CLASS (GAS)	TEMPERATURE CLASS (DUSTS)	NUMBER OF LED	NOMINAL OUTPUT (lm)	POWER [W]	CABLE ENTRY SIZE
LED LIGHTING FIXTURES - POWER SUPPLY 120 ÷ 277 VAC 50/60 HZ							
EVAC201-32LED	POWER LED	T5 / T4	T 85°C / T 105°C	4	2120	32W	1 x 1"
EVAC201L-004							2 x 3/4"
EVAC201-48LED	POWER LED	T5 / T4	T 85°C / T 105°C	6	3918	48W	1 x 1"
EVAC201L-006							2 x 3/4"
LED LIGHTING FIXTURES - POWER SUPPLY 120 ÷ 277 VAC 50/60 HZ							
EVAC501-64LED	POWER LED	T6 / T5	T 95°C	8	4265	64W	1 x 1"
EVAC501L-008							2 x 3/4"
EVAC501L-012	POWER LED	T6 / T5	T 95°C	12	7392	96W	2 x 3/4"

Note: LED lens lamp included along with lighting fixtures

Technical features

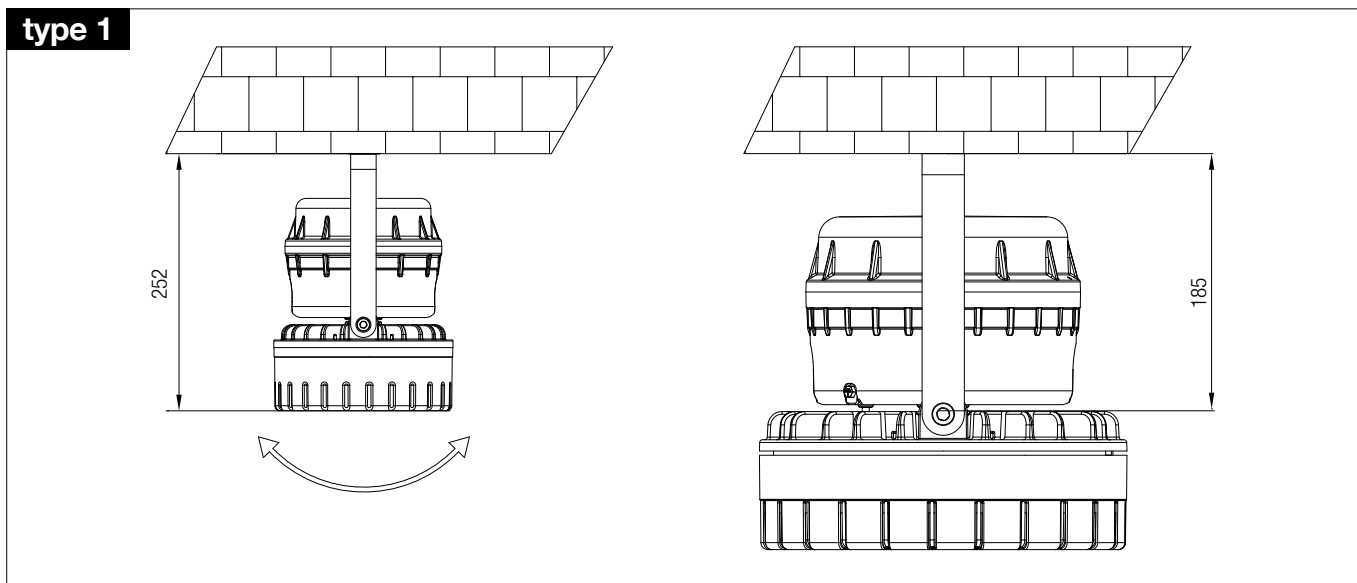
CODE	A [mm]	B [mm]	ØC [mm]	D [mm]	WEIGHT [Kg]	CABLE ENTRY	DETAIL
EVAC201-32LED	376	227	176	252	4,50	1 x 1"	C1
EVAC201L-004	210	181				2 x 3/4"	A
EVAC201-48LED	376	227	176	252	4,50	1 x 1"	C1
EVAC201L-006	210	181				2 x 3/4"	A
EVAC501-64LED	385	227	261	281	7,80	1 x 1"	C2
EVAC501L-008	237	261				2 x 3/4"	B
EVAC501L-012	237	261	261	281	7,80	2 x 3/4"	B

Reference details



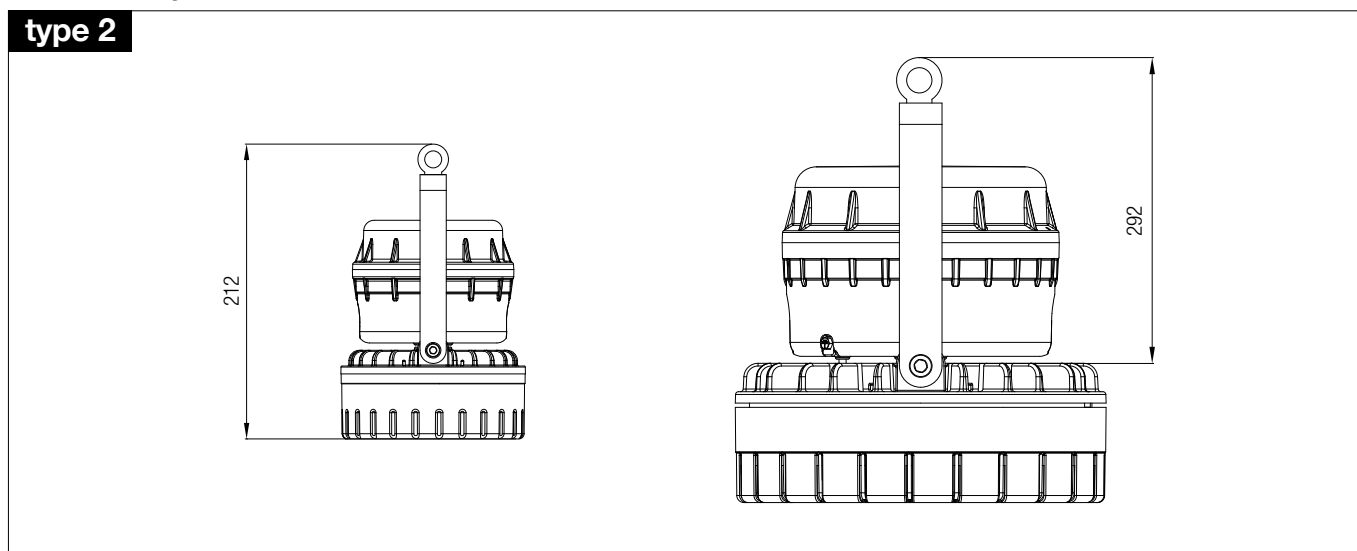
Ceiling mounting

type 1



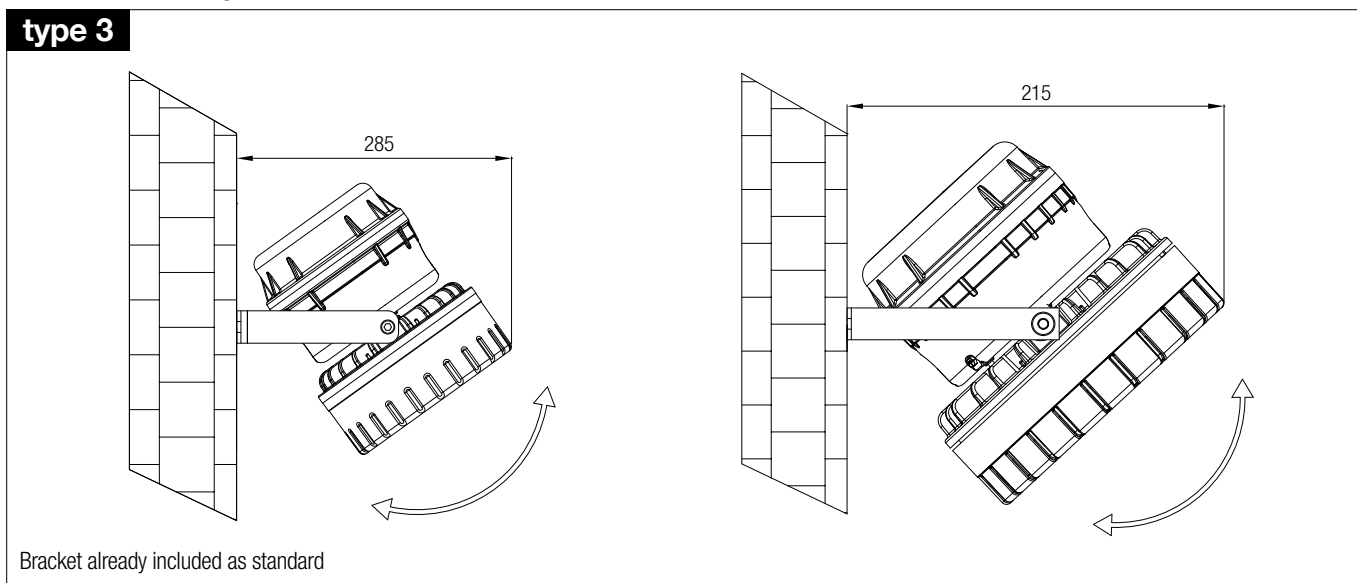
Pendant mounting

type 2

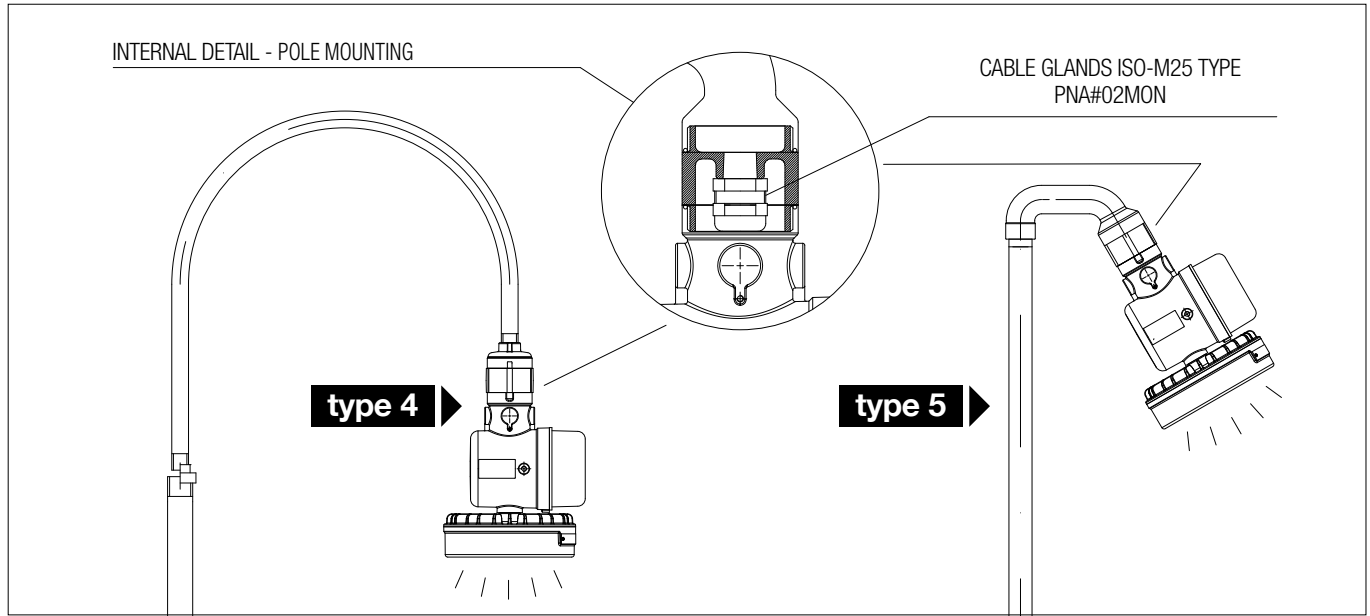


Wall/structure mounting

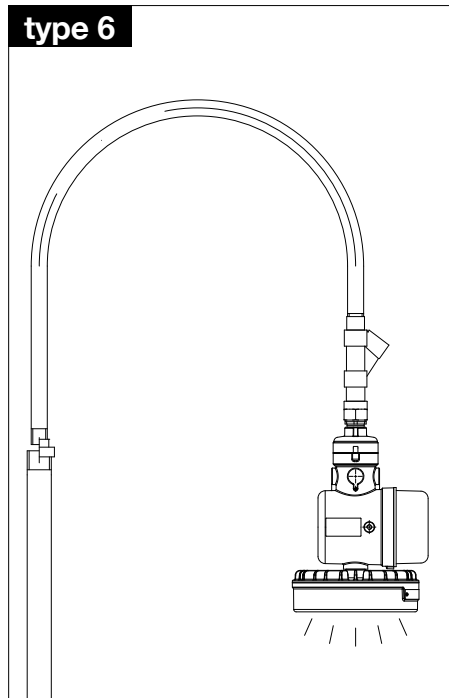
type 3



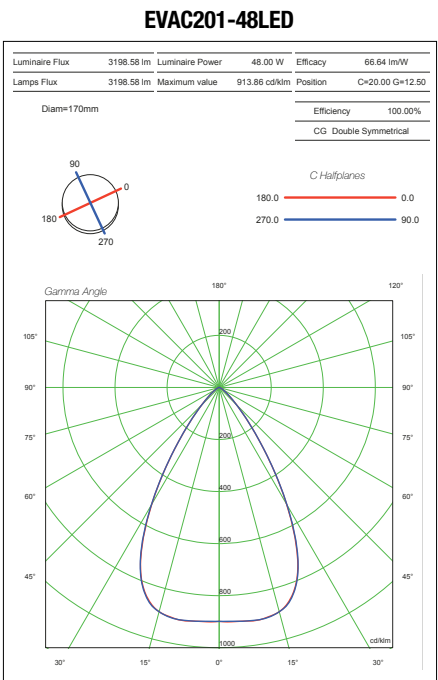
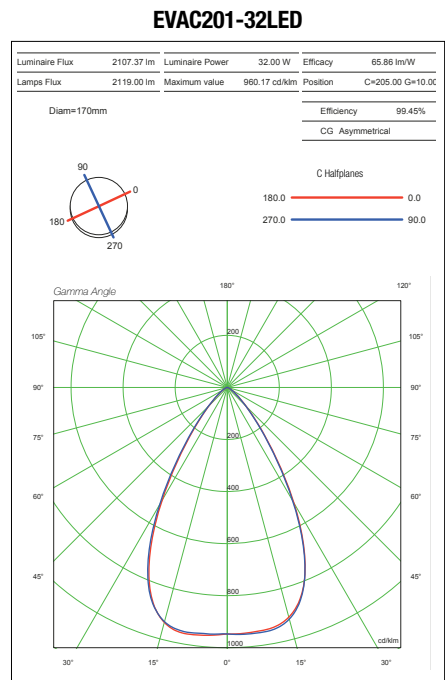
Pole Mounting – Without add sealing fitting



Pole Mounting – With add sealing fitting



EVAC-LED Polar diagrams – photometric data



EVAC-LED On request accessories

CODE	DESCRIPTION	INSTALLATION	MATERIAL
20302.0078*	CEILING MOUNTING KIT C/W HARDWARE	TYPE 1	STAINLESS STEEL
20302.0103	PENDANT MOUNTING KIT C/W HARDWARE AND EYE-BOLTS	TYPE 2	GALVANIZED STEEL
20302.0079*	45° WALL/STRUCTURE MOUNTING KIT C/W HARDWARE	TYPE 3	GALVANIZED STEEL
20301.0171	POLE MOUNTING KIT - WITHOUT SEALING FITTINGS	TYPE 4	ALUMINIUM
20303.0124 + 20301.0169	25° POLE MOUNTING KIT WITH BRACKET - WITHOUT SEALING FITTINGS	TYPE 5	ALUMINIUM
	POLE MOUNTING KIT - WITH SEALING FITTINGS (EYS2 + NP2 + RMF2)	TYPE 6	ALUMINIUM

* only for lighting fixtures shown on reference details A - B