



Installation: hazardous areas - Zone 1 / 2 (Gases) - Zone 21 / 22 (Dusts)

Classification: Group II - Category 2G 2D



REFERENCE STANDARDS

Directive 2014/34/EU

EXECUTION	⊗ II 2 G Ex db op is IIC T5/T4 Gb ⊗ II 2 D Ex op is tb IIIC T100°C/T135°C Db IP66
RULES OF COMPLIANCE	EN/IEC 60079-0; EN/IEC 60079-1; EN/IEC 60079-7; EN/IEC 60079-28; EN/IEC 60079-31;
EC Type-Examination Certificate	INERIS 17ATEX0046X
PROTECTION DEGREE	IP66
AMBIENT TEMPERATURE	-60°C ÷ +60°C
OTHER AVAILABLE CERTIFICATES	IECEX: IECEX INE 17.0038X EAC: TC RU C-IT.BH02.B.00602 (-60°C ÷ +60°C)

Mechanical characteristics

Body	marine grade copper free aluminium
Diffuser	tempered front glass
Support	adjustable type hot dip galvanized steel
Painting	external epoxy powders grey RAL-9006 colour
Screws	external stainless steel
Gaskets	silicon rubber
Cable entry	2 x 3/4" NPT (2 x ISO-M25 as option)

Electrical characteristics

Power supply	100÷240Vac - 50/60 Hz 127÷250Vdc
Lamp type	Power LED Type "cold white" - CCT 5700K with symmetric 65deg secondary lens
Internal wiring	high-temperature resistant silicon rubber insulation cables
Terminals	suitable up to 4sq/mm cables



On Request Accessories:

- External painting colour on request
- Threaded cable entry different than standard

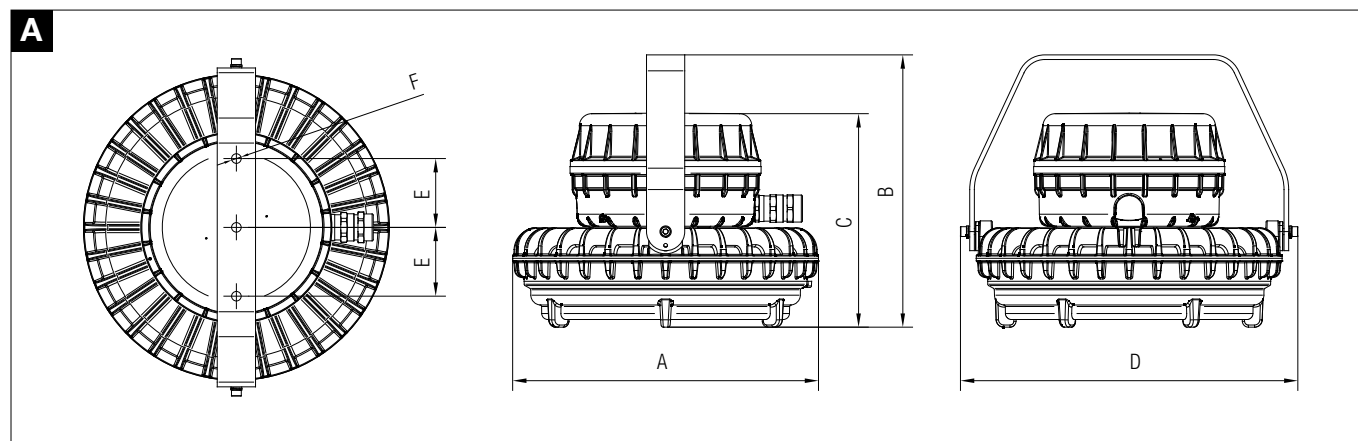
Technical data

CODE	LAMP	TEMPERATURE CLASS (GAS)	TEMPERATURE CLASS (DUSTS)	NOMINAL OUTPUT (lm)	CABLE ENTRY SIZE	DETAIL
LIGHTING FIXTURE FOR LED LAMP - POWER SUPPLY (100±240Vac - 50/60 Hz) - (127±250Vdc)						
RCDE160LED	160 W	T5 (Ta +40°C) / T4 (Ta +60°C)	T100°C / T135°C	12135 lm	2 x 3/4" NPT	A
RCDE192LED	192 W	T5 (Ta +40°C) / T4 (Ta +60°C)	T100°C / T135°C	14563 lm	2 x 3/4" NPT	A

Technical features

CODE	A [mm]	B [mm]	C [mm]	D [mm]	E [mm]	F [mm]	WIGHT [Kg]	CABLE ENTRY	DETAIL
RCDE160LED	400	356	279	441	90	Ø12,5	21,00	2 x 3/4" NPT	A
RCDE192LED							21,50		

Reference details



RCDE LED Polar diagrams – photometric data

