



Installation: hazardous areas - Zone 1 / 2 (Gases)
Zone 21 / 22 (Dusts)

Classification: Group II - Category 2G 2D



REFERENCE STANDARDS

Directive 2014/34/EU

EXECUTION	(fluo)	<ul style="list-style-type: none"> ⊗ Ex db IIB + H2 T6... T5 Gb ⊗ Ex tb IIIC T85°C... T100°C Db
	(led)	<ul style="list-style-type: none"> ⊗ Ex db op is IIB + H2 T6... T4 Gb ⊗ Ex op is tb IIIC T85°C... T135°C Db
RULES OF COMPLIANCE	EN/IEC 60079-0; EN/IEC 60079-1; EN/IEC 60079-31; EN/IEC 60079-28	
EC Type-Examination Certificate	INERIS 15 ATEX 0024X	
PROTECTION DEGREE	IP66	
AMBIENT TEMPERATURE	-60°C ÷ +80°C	
OTHER AVAILABLE CERTIFICATES	IECEx: IECEx INE 15_0030X INMETRO: CEPEL 15.2385X EAC: TC RU C-IT.BH02.B.00602 (-60°C ÷ +60°C) RINA: ELE18111CS_014 RUSSIAN MARINE CERTIFICATE (RMRS): 19.02519.280	

Mechanical characteristics

Body	marine grade copper free aluminium
Diffuser	high-temperature resistant borosilicate glass
Painting	external epoxy powders grey RAL-9006 colour
Screws	external stainless steel
Reflectors	white stove enamelled sheet steel
Cable entry	3/4" NPT size threaded c/w cable gland

Electrical characteristics

Power supply (fluo)	electronic ballast 230V/240V 50/60Hz (cos ρ ≥ 0,98)
	electronic ballast 100V/240V 50/60Hz (always on – maintained)
Power supply (led)	electronic ballast 120V/240V 50/60Hz (network only – not maintained)
	electronic ballast 230V/240V 50/60Hz (only in emergency)
Lampholders	bi-in g5 cap (fluorescent lamp only)
Internal wiring	high-temperature resistant silicon rubber insulation cables
Terminals	suitable up to 4 sq/mm cables
Emergency unit	emergency unit for maintained and not maintained (see technical data table)

Functional characteristics

EXL08 (Network only): 8W fluorescent lamp and electronic ballast 230V/240V 50/60Hz

EXL08ESA-3 (Always On - Maintained): 8W fluorescent lamp and electronic ballast 230V/240V AC

EXL08E-3 (Emergency only - Not Maintained): 8W fluorescent lamp and electronic ballast 230V/240V AC

EXL08L / EXL208L (Network only): with high brightness LEDs (350mA – 4W) supply from 120V up to 240V AC/DC

EXL08LE-SA (Always On - Maintained): with high brightness LEDs (350mA – 4W) supply from 100V up to 240V AC with charge status monitor LED system (RED; battery under charging – GREEN: battery loaded)

EXL08LE (Emergency only - Not maintained): with high brightness LEDs (350mA – 4W) supply from 100V up to 240V AC with charge status monitor LED system (RED; battery under charging – GREEN: battery loaded)



On Request Accessories:

- External painting colour on request
- Electronic ballast with voltage supply different than standard
- Threaded cable entry different than standard
- Self-adhesive green label with EXIT sign (language on request)

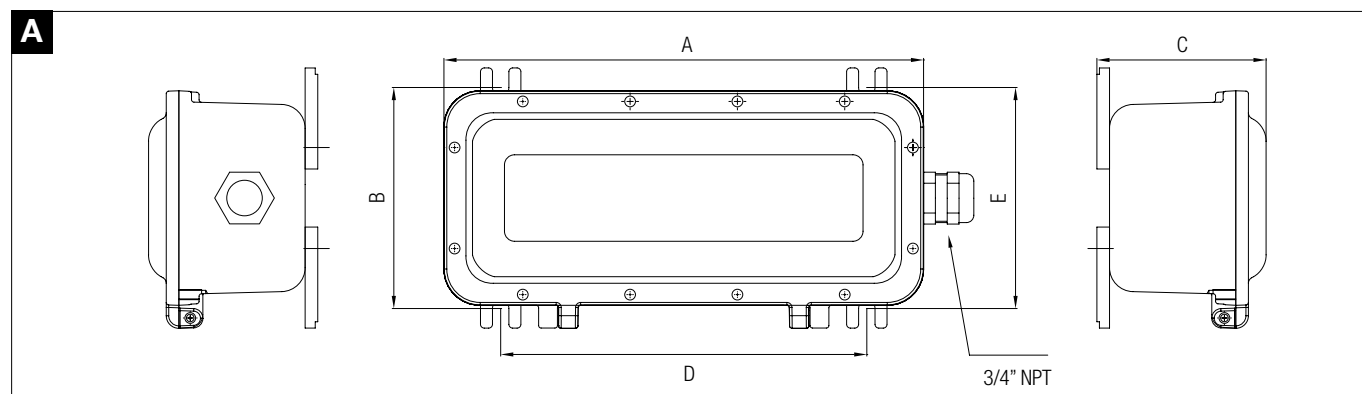
Technical data

CODE	POWER SUPPLY	LAMP	mA (LED)	TEMPERATURE CLASS (GAS)	TEMPERATURE CLASS (DUSTS)	EMERGENCY UNIT	AUTONOMY
LIGHTING FIXTURES FOR FLUORESCENT TUBE LAMPS							
EXL08	230 ÷ 240V AC	8 W	-	T6 - T5	T 85°C / T100°C	no	-
EXL08E-3	230 ÷ 240V AC	8 W	-	T6 - T5	T 85°C / T100°C	3,6V - 4A/h	3h
EXL08ESA-3	230 ÷ 240V AC	8 W	-	T6 - T5	T 85°C / T100°C	3,6V - 4A/h	3h
LIGHTING FIXTURES FOR HIGH EFFICIENCY LED LAMPS							
EXL08L	120 ÷ 240V AC	1W x 4	350	T6 - T5	T 85°C / T100°C	no	-
EXL08LE	100 ÷ 240V AC	1W x 4	350	T6 - T5	T 85°C / T100°C	6V - 4A/h	3h
EXL208L	120 ÷ 240V AC	(1W x 4) x 2	350	T6 - T5	T 85°C / T100°C	no	-
EXL08LE-SA	100 ÷ 240V AC	1W x 4	350	T6 - T5	T 85°C / T100°C	6V - 4A/h	3h

Technical features

CODE	A [mm]	B [mm]	C [mm]	D [mm]	E [mm]	WIGHT [kg]	CABLE ENTRY	DETAIL
EXL08...	380	170	125	270	156	8,00	1 x 3/4"	A

Reference details



On request accessories

CODE	DESCRIPTION	MATERIAL
2070.00088	SELF-ADHESIVE GREEN "EXIT" LABEL	POLYESTER

