



Installation: hazardous areas - Zone 1 / 2 (Gases)
Zone 21 / 22 (Dusts)

Classification: Group II - Category 2G 2D



REFERENCE STANDARDS

Directive 2014/34/EU

| | |
|---------------------------------|----------------------------------------------------------------------------------------------------------------------------------------------------------------|
| EXECUTION | ⊗ II 2 G Ex d e q IIC T4 Gb ⊗ II 2 D Ex tb IIIC T80°C Db |
| RULES OF COMPLIANCE | EN/IEC 60079-0; EN/IEC 60079-1; EN/IEC 60079-5; EN/IEC 60079-7; EN/IEC 60079-31 |
| EC Type-Examination Certificate | LCIE 12 ATEX 3050X |
| PROTECTION DEGREE | IP66 |
| AMBIENT TEMPERATURE | -20°C ÷ +60°C |
| OTHER AVAILABLE CERTIFICATES | IECEX: IECEX LCIE 12.0019X INMETRO: CEPEL 15.2405X EAC: TC RU C-IT.BH02.B.00602 (-40°C ÷ +60°C) RUSSIAN MARINE CERTIFICATE (RMRS): 19.02519.280 |

Mechanical characteristics

| | |
|--------------------|----------------------------------------------------------------------------------------|
| Body | glass fibre reinforced polyester resin self-extinguishing acc. to UL94 |
| Diffuser | U/V resistant polycarbonate - hinged to body |
| Safety closing | operated by hexagonal key |
| Gaskets | EPDM 60 rubber suitable for high temperatures and resistant to environments conditions |
| Internal reflector | white stove enamelled sheet aluminum |
| Cable entry | 1 PCE M25 cable gland and 3 M25 plugs |

Electrical characteristics

| | |
|-----------------|------------------------------------------------------------------------|
| Power supply | electronic ballast 96...254V AC 50/60Hz (cos ρ ≥ 0,95) / 96 130V DC |
| Lampholders | bi-pin G13 cap |
| Internal wiring | high-temperature resistant silicon rubber insulation cables |
| Terminals | with protections against over charge and over discharge |



On Request Accessories:

- Pole mounting kit complete with stainless steel hardware
- Ceiling mounting kit complete with stainless steel hardware
- Pendant mounting kit complete with stainless steel hardware
- Wall/Structure mounting kit complete with stainless steel hardware
- Electronic ballast with voltage supply different than standard
- Voltage different than standard

Technical data

| CODE | LAMP | TEMPERATURE CLASS (GAS) | TEMPERATURE CLASS (DUSTS) | LAMPHOLDER | ENTRY | EMERGENCY UNIT | AUTONOMY | DETAIL |
|------|------|-------------------------|---------------------------|------------|-------|----------------|----------|--------|
|------|------|-------------------------|---------------------------|------------|-------|----------------|----------|--------|

FLUORESCENT LIGHTING FIXTURES FOR SINGLE AND TWIN LAMPS - POWER SUPPLY 96...254V AC 50/60Hz

| | | | | | | | | |
|--------|---------|----|--------|-----|-------------|---|---|---|
| AVC218 | 2 x 18W | T4 | T 80°C | G13 | 4 x ISO-M25 | - | - | A |
| AVC236 | 2 x 36W | T4 | T 80°C | G13 | 4 x ISO-M25 | - | - | A |

EMERGENCY FLUORESCENT LIGHTING FIXTURES FOR SINGLE AND TWIN LAMPS - POWER SUPPLY 230/240V AC 50/60Hz

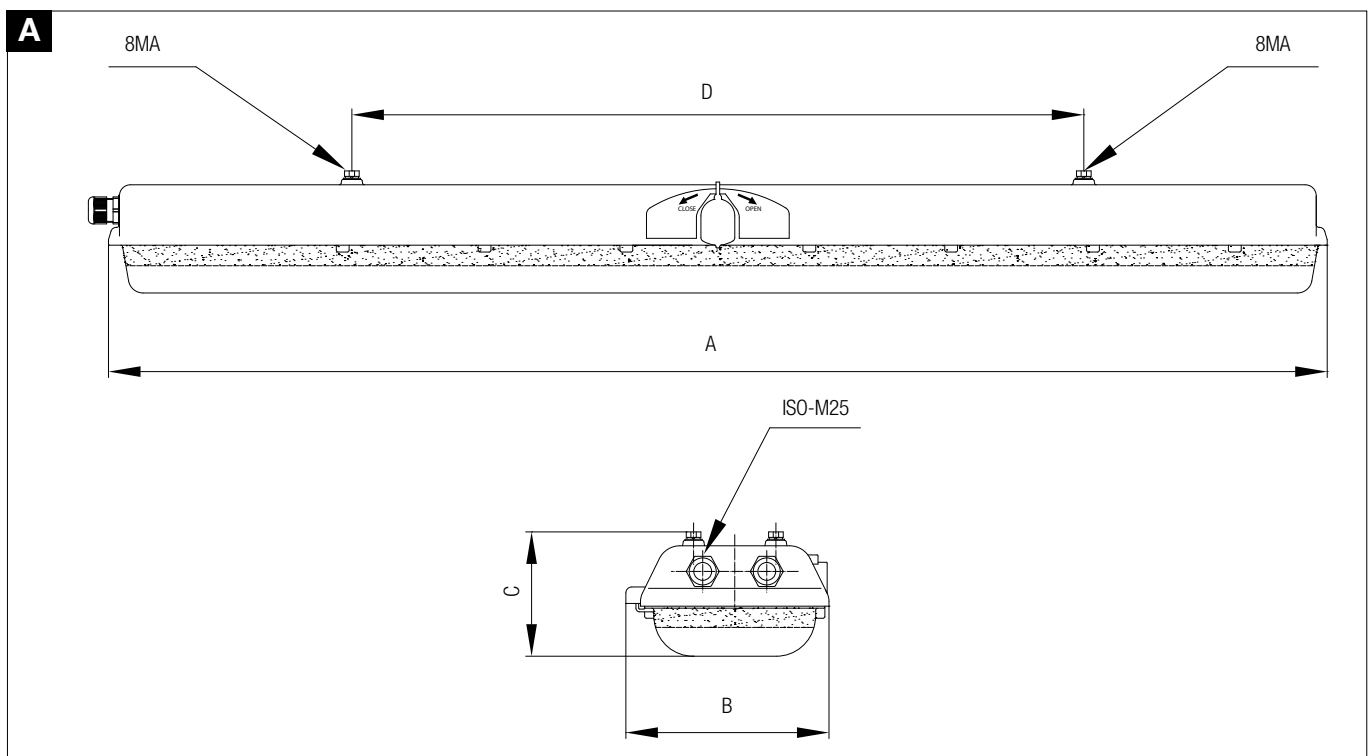
| | | | | | | | | |
|---------|---------|----|--------|-----|-------------|-------------|---------|---|
| AVCE218 | 2 x 18W | T4 | T 80°C | G13 | 4 x ISO-M25 | 7.2 V - 6Ah | 120 min | A |
| AVCE236 | 2 x 36W | T4 | T 80°C | G13 | 4 x ISO-M25 | 7.2 V - 6Ah | 120 min | A |

Technical features

| CODE | A [mm] | B [mm] | C [mm] | D [mm] | WIGHT [Kg] | CABLE ENTRY | DETAIL |
|--------|--------|--------|--------|--------|------------|-------------|--------|
| AVC218 | 705 | 222 | 134 | 450 | 8 | 4 x ISO-M25 | A |
| AVC236 | 1335 | 222 | 134 | 800 | 12 | 4 x ISO-M25 | A |

| CODE | A [mm] | B [mm] | C [mm] | D [mm] | WIGHT [Kg] | CABLE ENTRY | DETAIL |
|---------|--------|--------|--------|--------|------------|-------------|--------|
| AVCE218 | 705 | 222 | 134 | 450 | 9,5 | 4 x ISO-M25 | A |
| AVCE236 | 1335 | 222 | 134 | 800 | 13,5 | 4 x ISO-M25 | A |

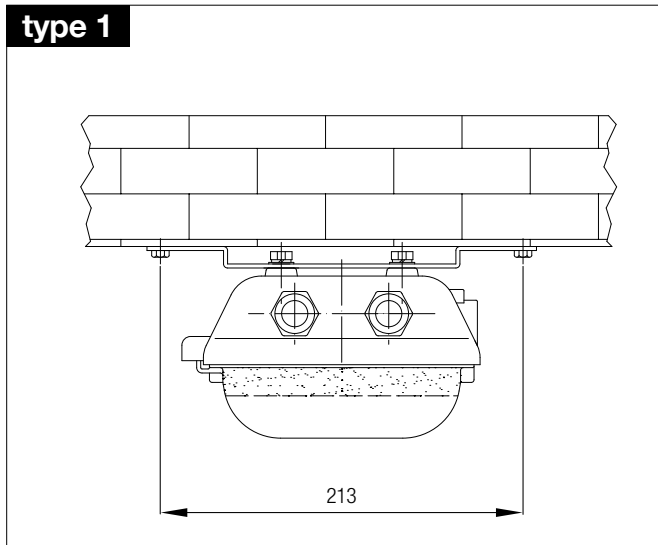
Reference details





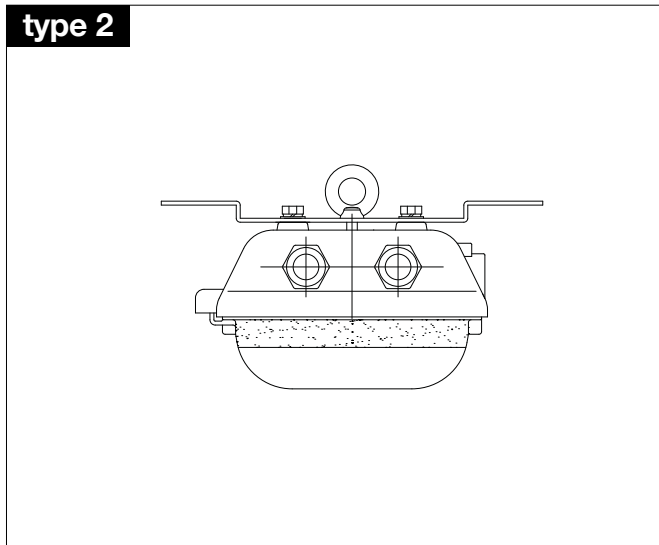
Ceiling mounting

type 1



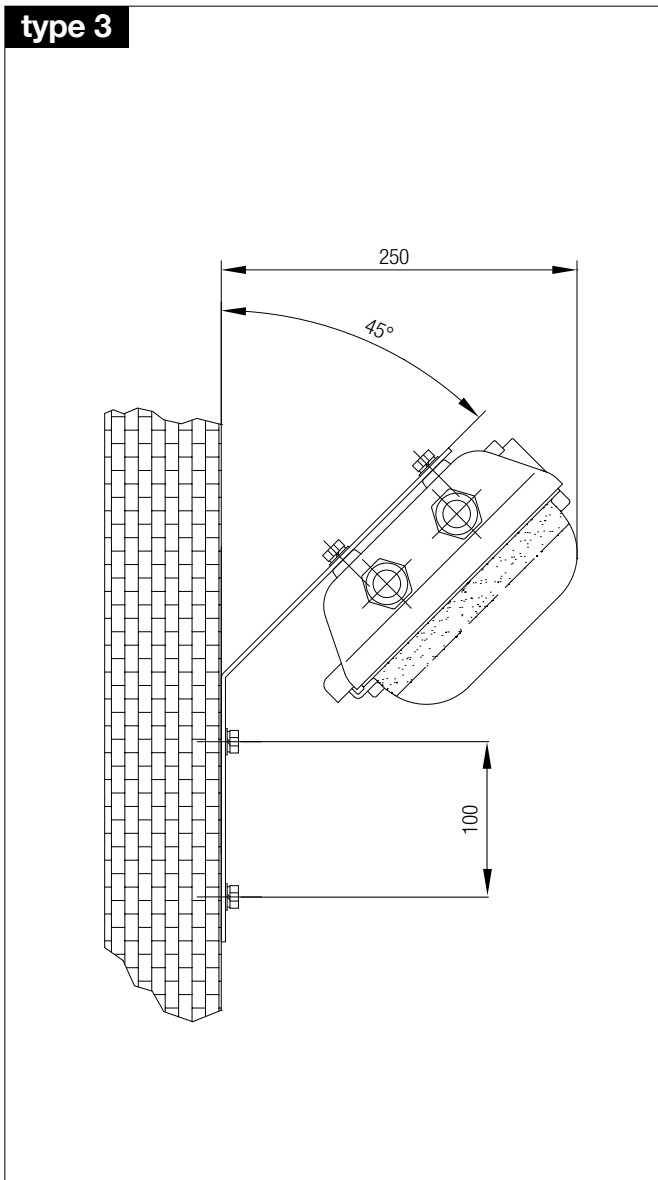
Pendant mounting

type 2



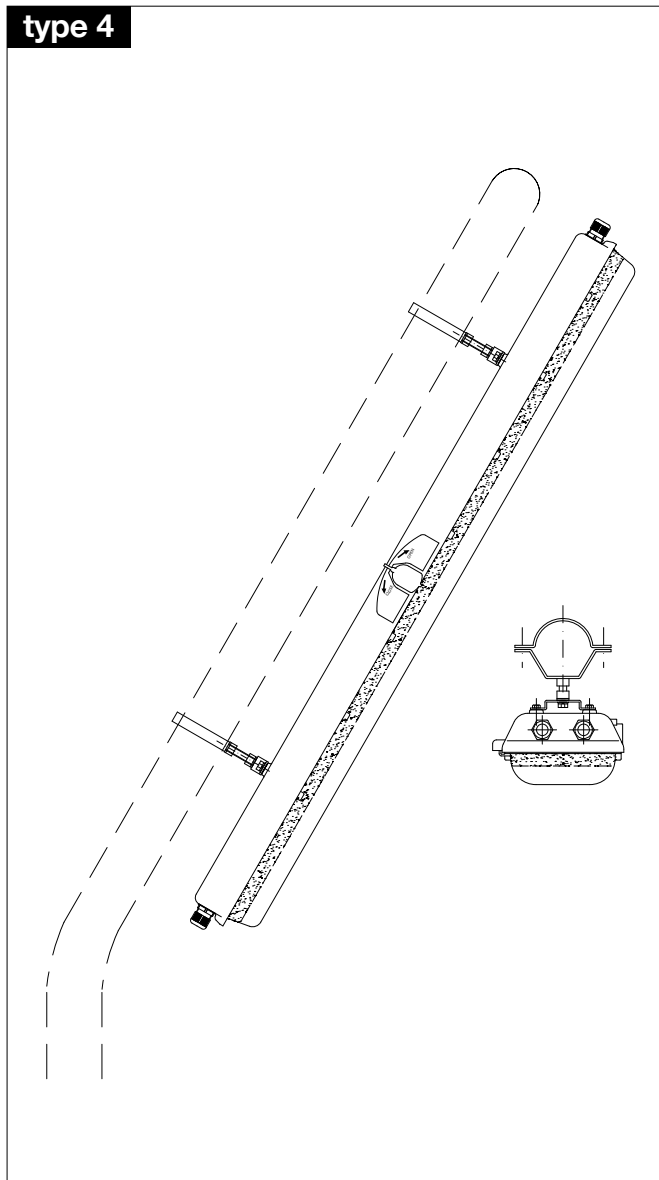
Wall/structure mounting

type 3

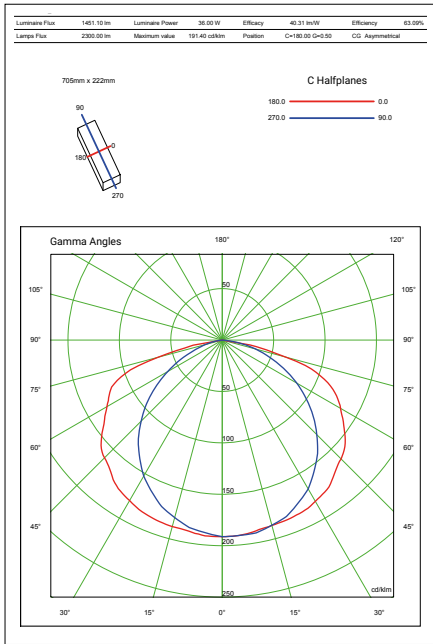


Pole mounting
Assemblig detail with pole (typical)

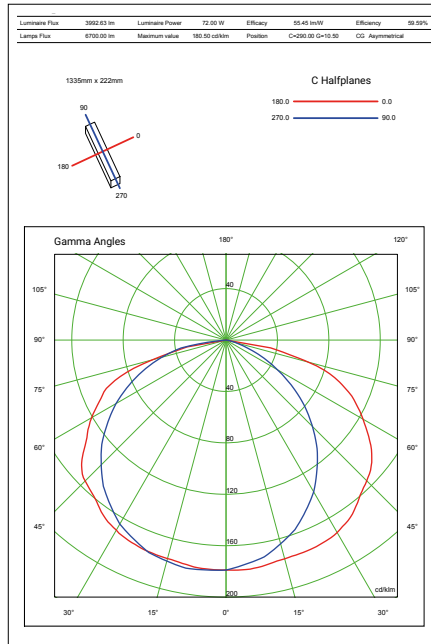
type 4



AVC218



AVC236



On request accessories

| CODE | DESCRIPTION | INSTALLATION | MATERIAL |
|------------|----------------------------------------|--------------|------------------|
| 20302.0142 | CEILING MOUNTING KIT C/W HARDWARE | TYPE 1 | STAINLESS STEEL |
| 20302.0103 | EYE-BOLTS MOUNTING KIT C/W HARDWARE | TYPE 2 | GALVANIZED STEEL |
| 20302.0140 | WALL MOUNTING KIT C/W HARDWARE | TYPE 3 | GALVANIZED STEEL |
| 20301.0162 | POLE MOUNTING KIT Ø2" C/W HARDWARE | TYPE 4 | GALVANIZED STEEL |
| 20301.0163 | POLE MOUNTING KIT Ø1-1/2" C/W HARDWARE | TYPE 4 | GALVANIZED STEEL |