



Installation: hazardous areas - Zone 2 (Gases) - Zone 22 (Dusts)

Classification: Group II - Category 3G 3D



REFERENCE STANDARDS

Directive 2014/34/EU

EXECUTION	<ul style="list-style-type: none"> ⊗ II 3 G Ex nA IIC T6/T5/T4 Gc ⊗ II 3 D Ex tc IIIC T85°C/T100°C/T135°C Dc
RULES OF COMPLIANCE	EN 60079-0; EN 60079-15; EN 60079-31
EC Type-Examination Certificate	in progress
PROTECTION DEGREE	IP66
AMBIENT TEMPERATURE	-20°C ÷ +60°C
OTHER AVAILABLE CERTIFICATES	EAC: TC RU C-IT.BH02.B.00602 (-40°C ÷ +60°C) RUSSIAN MARINE CERTIFICATE (RMRS): 19.02519.280

Mechanical characteristics

Body	glass fibre reinforced polyester resin self-extinguishing acc. to UL94
Diffuser	U/V resistant polycarbonate - hinged to body
Safety closing	operated by hexagonal key
Gaskets	EPDM 60 rubber suitable for high temperatures and resistant to environments conditions
Internal reflector	white stove enamelled sheet aluminum
Cable entry	ISO-Metric complete with 2 PVC cable gland + 2 PVC stopping plug

Electrical characteristics

Power supply	dual channel electronic ballast: - 110÷240Vac - 50/60 Hz (cos ρ ≥ 0,98) - 110÷240Vdc
Emergency unit	emergency unit with autonomy from 180 min. (inverter) 220÷240V 50/60Hz
Lampholders	bi-pin G13 cap
Terminals	suitable up to 4 sq/mm cables



On Request Accessories:

- Pole mounting kit complete with stainless steel hardware
- Ceiling mounting kit complete with stainless steel hardware
- Pendant mounting kit complete with stainless steel hardware
- Wall/Structure mounting kit complete with stainless steel hardware
- Electronic ballast with voltage supply different than standard
- Ex-de safety switch
- Up to 4 cable entries

Technical data

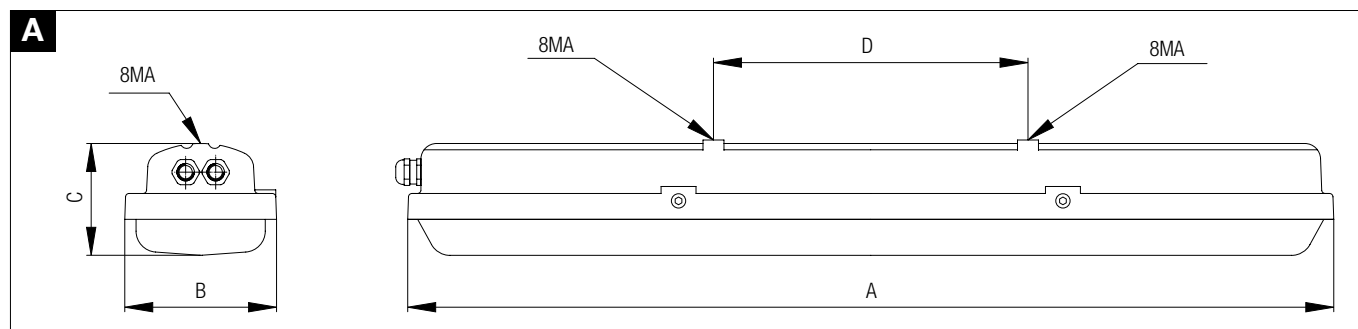
CODE	LAMP	TEMPERATURE CLASS (GAS)	TEMPERATURE CLASS (DUSTS)	LAMPHOLDER	ENTRY	EMERGENCY UNIT	AUTONOMY	DETAIL
FLUORESCENT LIGHTING FIXTURES FOR SINGLE AND TWIN LAMPS - POWER SUPPLY (110÷240Vac - 50/60 Hz) - (110÷240Vdc)								
ZFL-118	1 x 18W	T6 (AT = 40°C)	T 85°C	G13	4 x M20	-	-	A
		T5 (AT = 50°C)	T 100°C					
		T4 (AT = 60°C)	T 135°C					
ZFL-136	1 x 36W	T6 (AT = 40°C)	T 85°C	G13	4 x M20	-	-	A
		T5 (AT = 50°C)	T 100°C					
		T4 (AT = 60°C)	T 135°C					
ZFL-218	2 x 18W	T6 (AT = 40°C)	T 85°C	G13	4 x M20	-	-	A
		T5 (AT = 50°C)	T 100°C					
		T4 (AT = 60°C)	T 135°C					
ZFL-236	2 x 36W	T6 (AT = 40°C)	T 85°C	G13	4 x M20	-	-	A
		T5 (AT = 50°C)	T 100°C					
		T4 (AT = 60°C)	T 135°C					

EMERGENCY FLUORESCENT LIGHTING FIXTURES FOR SINGLE AND TWIN LAMPS - POWER SUPPLY (inverter) 220÷240V - 50/60Hz								
ZFLE-118	1 x 18W	T6 (AT = 40°C)	T 85°C	G13	4 x M20	4,8V - 4Ah	180 min.	A
		T5 (AT = 50°C)	T 100°C					
		T4 (AT = 60°C)	T 135°C					
ZFLE-136	1 x 36W	T6 (AT = 40°C)	T 85°C	G13	4 x M20	4,8V - 4Ah	180 min.	A
		T5 (AT = 50°C)	T 100°C					
		T4 (AT = 60°C)	T 135°C					
ZFLE-218	2 x 18W	T6 (AT = 40°C)	T 85°C	G13	4 x M20	4,8V - 4Ah	180 min.	A
		T5 (AT = 50°C)	T 100°C					
		T4 (AT = 60°C)	T 135°C					
ZFLE-236	2 x 36W	T6 (AT = 40°C)	T 85°C	G13	4 x M20	4,8V - 4Ah	180 min.	A
		T5 (AT = 50°C)	T 100°C					
		T4 (AT = 60°C)	T 135°C					

Technical features

CODE	A [mm]	B [mm]	C [mm]	D [mm]	WIGHT [Kg]	CABLE ENTRY	DETAIL
ZFL-118	730	215	160	400	6,00	4 x M20	A
ZFL-136	1340	215	160	450	6,50	4 x M20	A
ZFL-218	730	215	160	400	7,00	4 x M20	A
ZFL-236	1340	215	160	450	7,50	4 x M20	A
ZFLE-118	730	215	160	400	11,00	4 x M20	A
ZFLE-136	1340	215	160	450	11,50	4 x M20	A
ZFLE-218	730	215	160	400	12,00	4 x M20	A
ZFLE-236	1340	215	160	450	12,50	4 x M20	A

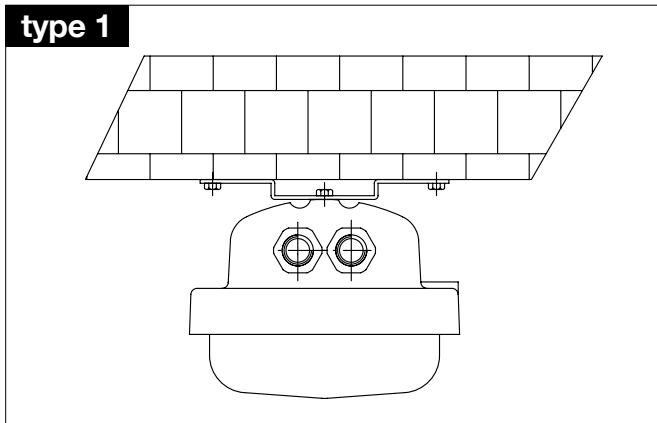
Reference details





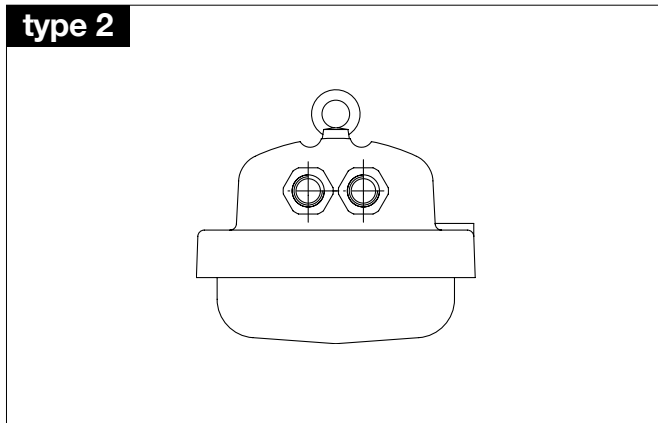
Ceiling mounting

type 1



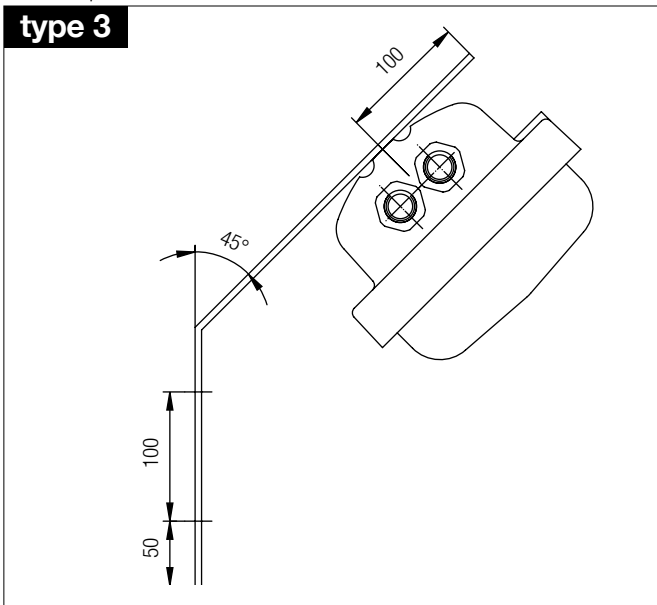
Pendant mounting

type 2



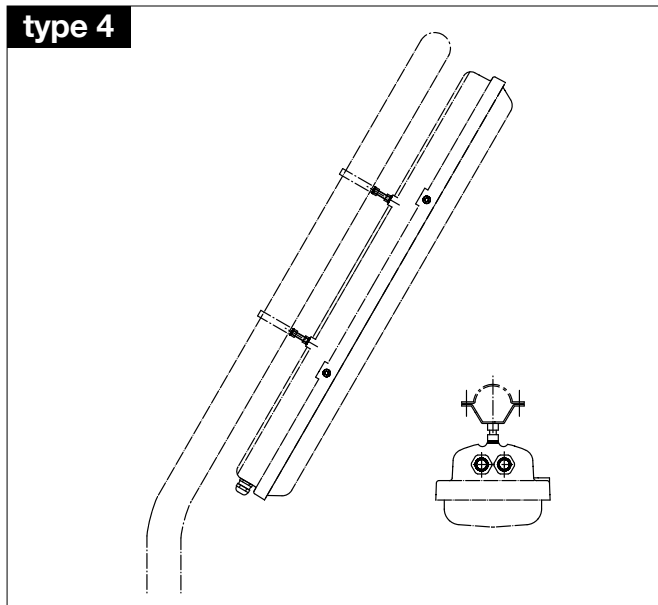
Wall/structure mounting

type 3



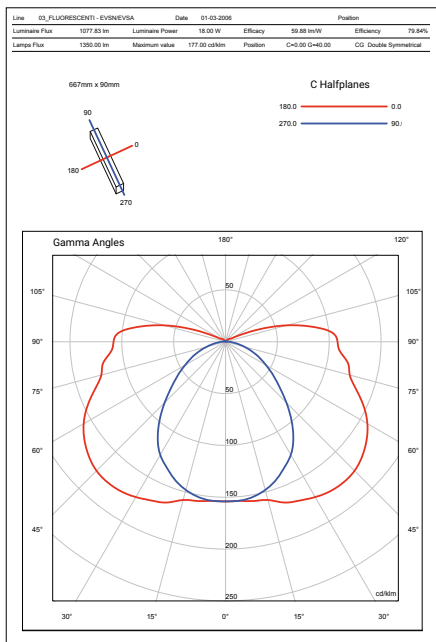
Pole mounting. Assembling detail with pole (typical)

type 4

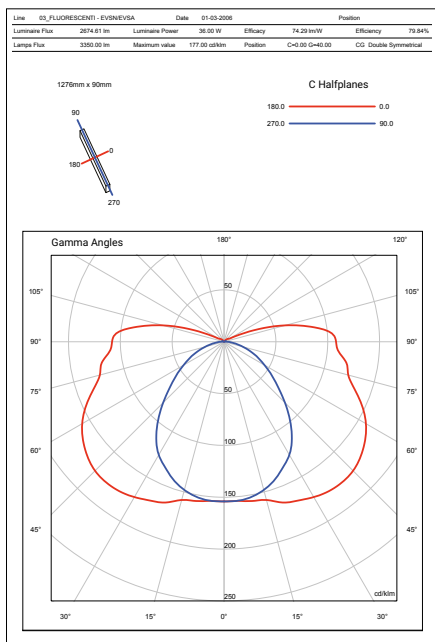


ZFL Polar diagrams – photometric data

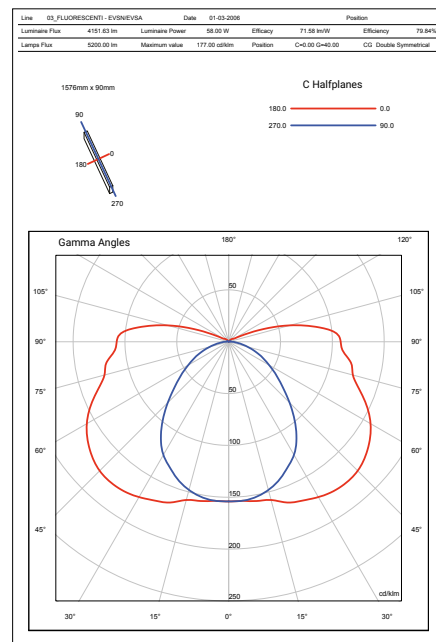
ZFL-218



ZFL-136



ZFL-236



On request accessories

CODE	DESCRIPTION	INSTALLATION	MATERIAL
20302.0121	CEILING MOUNTING KIT C/W HARDWARE	TYPE 1	GALVANIZED STEEL
20301.0165	PENDANT MOUNTING KIT C/W HARDWARE AND EYE-BOLTS	TYPE 2	STAINLESS STEEL
20302.0128	WALL/STRUCTURE MOUNTING KIT C/W HARDWARE	TYPE 3	GALVANIZED STEEL
20301.0163	POLE MOUNTING KIT (SIZE 1 1/2" DIA.) C/W HARDWARE	TYPE 4	STAINLESS STEEL
20301.0162	POLE MOUNTING KIT (SIZE 2" DIA.) C/W HARDWARE	TYPE 4	STAINLESS STEEL
20301.0161	POLE MOUNTING KIT (SIZE 1" DIA.) C/W HARDWARE	TYPE 4	STAINLESS STEEL