



**Installation:** hazardous areas - Zone 2 (Gases) - Zone 22 (Dusts)

**Classification:** Group II - Category 3G 3D



**REFERENCE STANDARDS**

**Directive 2014/34/EU**

EXECUTION	<ul style="list-style-type: none"> <li>⊗ II 3 G Ex ec IIC T4 Gc</li> <li>⊗ II 3 D Ex tc IIIB T115°C Dc</li> </ul>
RULES OF COMPLIANCE	EN/IEC 60079-0; EN/IEC 60079-7; EN/IEC 60079-31
EC Type-Examination Certificate	INERIS 19 ATEX 3010X
PROTECTION DEGREE	IP66 (in accordance to IEC 60529 with silicone grease applied on gasket)
AMBIENT TEMPERATURE	-40°C ÷ +60°C
OTHER AVAILABLE CERTIFICATES	IECEX: IECEX INE 19.0034X EAC: TC RU C-IT.BH02.B.00602 (-40°C ÷ +60°C)

**Mechanical characteristics**

Body	marine grade copper free aluminium
Diffuser	tempered front glass 4mm
Support	adjustable type 3mm thick shaped steel
Painting	external thermosetting polyester powder RAL-7039 colour
Screws	external stainless steel
Gaskets	silicon rubber
Cable entry	Dia. 20.5mm

**Electrical characteristics**

Power supply	220÷240Vac electronic driver 50/60 Hz - C/W surge protection 6/8KV and NTC thermal sensor
Lamp type	Samsung LH 181B - CRI>80 CCT 4000K Lifetime: 80.000 hours L80 B10 @ta 25, 50.000 hours L80 B20 @tamax
Internal wiring	high-temperature resistant silicon rubber insulation cables
Terminals	suitable up to 4 sq/mm cables
Optic	SM = without lens, maximum efficiency AS = with asymmetrical lens vertex at 50deg ST = road lens with asymmetry vertex 30deg



- On Request Accessories:**
- External painting colour on request
  - DALI dimmable driver and output reduction with Vmidnight system
  - CCT 2200/3000/5700 K
  - Customized LED current drivers
  - Additional optics
  - SPD 10KV
  - Pole mounting

Technical data

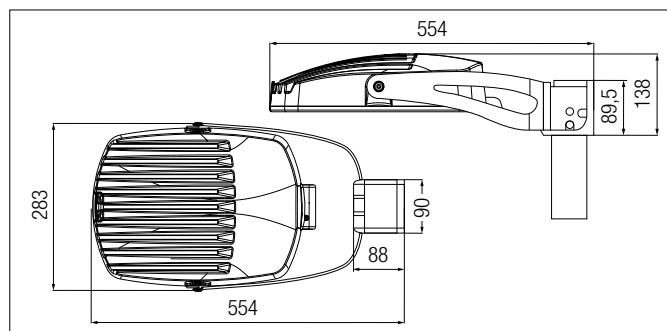
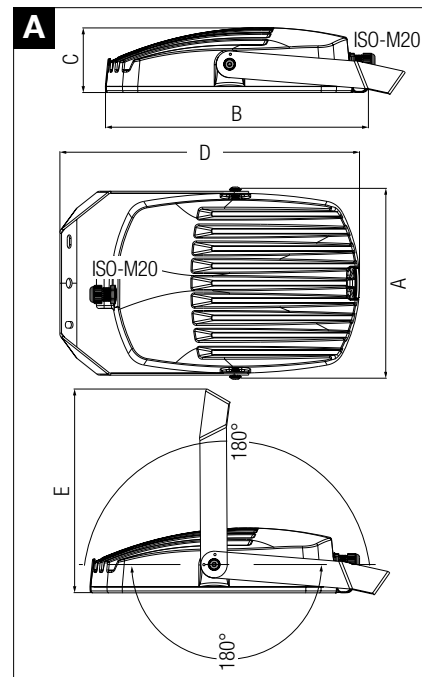
CODE	POWER LAMP	WIRING	TEMPERATURE CLASS (GAS)	TEMPERATURE CLASS (DUSTS)	OUTPUT TYPICAL (lm)	OUTPUT NET (lm)	CABLE ENTRY SIZE	DETAIL
<b>FLOODLIGHTS FOR LED LAMP - POWER SUPPLY 220±240V 50/60Hz</b>								
SFLP-1040B	35 W	16 LED	T4 (Ta +60°C)	T115°C	5200	4760	1 X ISO-M20	A
SFLP-1041B						4560		
SFLP-1042B						4475		
SFLP-2080B	70 W	32 LED			10400	9515		
SFLP-2081B						9120		
SFLP-2082B						8950		
SFLP-3120B	105 W	48 LED			15600	14275		
SFLP-3121B						13670		
SFLP-3122B						13420		
SFLP-4160B	140 W	64 LED	20800	19030				
SFLP-4161B				18235				
SFLP-4162B				17900				

OPTIC BEAM: 0B=SM - WITHOUT LENS / 1B=AS - ASYMMETICAL LENS / 2B=ST - STREET-ROAD LENS

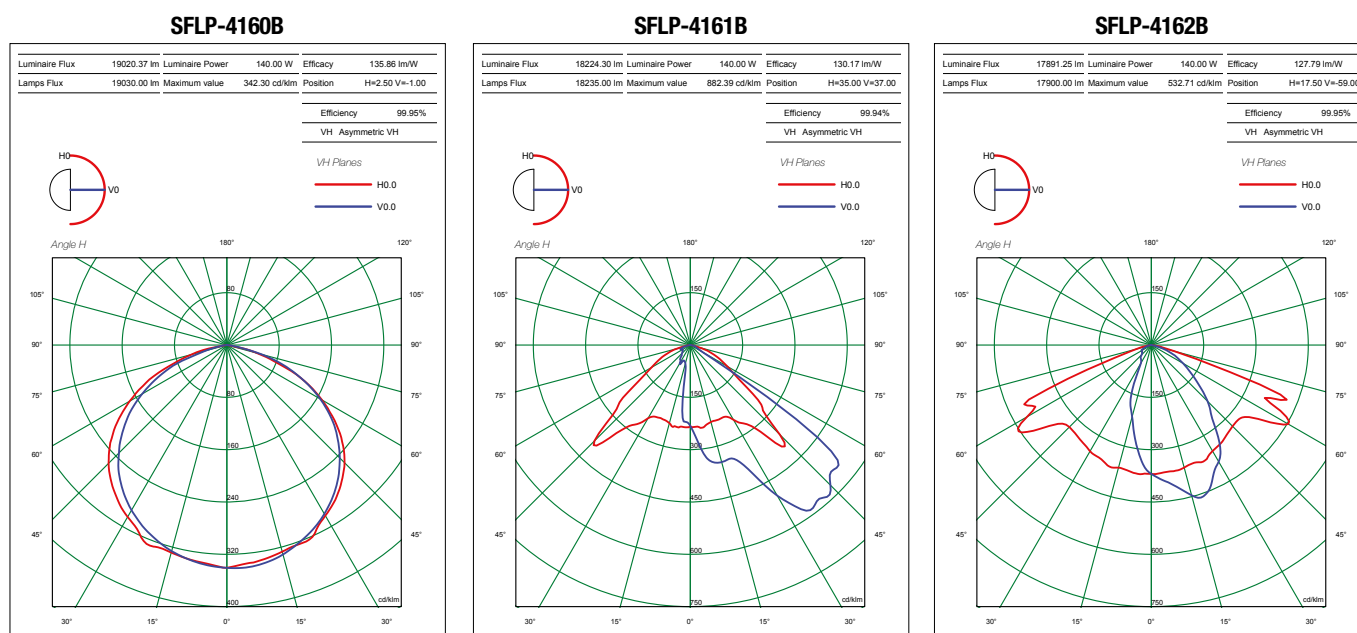
Technical features

CODE	A [mm]	B [mm]	C [mm]	D [mm]	E [mm]	WEIGHT [Kg]	CABLE ENTRY	DETAIL
SFLP-1040B	283	395	97	450	305	6,42	1 X ISO-M20	A
SFLP-1041B	283	395	97	450	305	6,45	1 X ISO-M20	A
SFLP-1042B	283	395	97	450	305	6,44	1 X ISO-M20	A
SFLP-2080B	283	395	97	450	305	6,45	1 X ISO-M20	A
SFLP-2081B	283	395	97	450	305	6,51	1 X ISO-M20	A
SFLP-2082B	283	395	97	450	305	6,50	1 X ISO-M20	A
SFLP-3120B	283	395	97	450	305	6,34	1 X ISO-M20	A
SFLP-3121B	283	395	97	450	305	6,43	1 X ISO-M20	A
SFLP-3122B	283	395	97	450	305	6,42	1 X ISO-M20	A
SFLP-4160B	283	395	97	450	305	6,40	1 X ISO-M20	A
SFLP-4161B	283	395	97	450	305	6,52	1 X ISO-M20	A
SFLP-4162B	283	395	97	450	305	6,51	1 X ISO-M20	A

Reference details



SFLP LED Installation and mounting details



On request accessories

CODE	DESCRIPTION	MATERIAL
923.503.002	T Pole adapter Ø 60 mm	Painted steel